



8 SERIES: 8.5 Y

NEW

 MAX LIFTING CAP 1640 kg	 ENGINE POWER 50 hp	 SPEED 16 km/h	 FLOW RATE 85 l/min	 LIFT HEIGHT 3,2 m
---	--	---	--	---

ACI
ATTACHMENT
CONTROL
INTERFACE

ONE
DRIVE

Model	8.5 Y
Engine	Yanmar 4TNV88 - 4 cylinder - 2190 cc
Emission Standards	Stage IIIA
Power (Iso Gross) / Torque	50 HP / 140 Nm @ 1200 rpm
Fuel	Diesel
Transmission	Hydrostatic OneDrive
Drive speed (max.) ⁽¹⁾	16 km/h
Aux. hydraulics oil flow	85 l/min
Max. lifting height	3,2 m
Tipping load, max. ⁽²⁾	2050 kg
Lifting capacity straight, max. ⁽³⁾	1640 kg
Breakout force / 50 cm	1700 kg
Pushing force (c)	2190 kgf
Average ground pressure (w/std tires)	868 kg/m ²
Turning radius: inside/outside	670/2245 mm
Standard tires (Tractor profile)	400/50-R15 (31X15.50-15) ET-100
Weight	1750 kg
Product Code	C964030

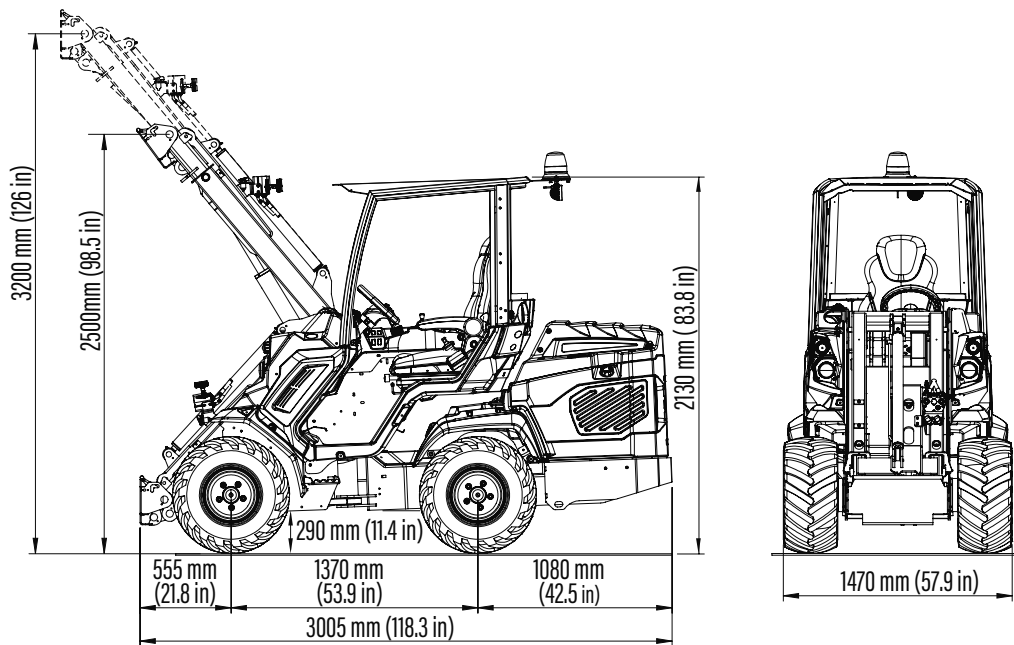
⁽¹⁾ Maximum speed that can be achieved with the largest diameter tires available, on a flat surface and machine without attachments.

⁽²⁾ Tipping limit, when the machine is straight, with rear weights and boom lifted just off the ground. Weight of attachment included.

⁽³⁾ Maximum load that can be lifted just off the ground when the machine is straight and with rear weights. Weight of attachment is included.

Note: Refer to the Operator's manual for the comprehensive load diagram.

MULTI**ONE**



Tires size	Height	Width
23X8.50-12	2030 mm	1070 mm
23X10.50-12 ET-25	2030 mm	1130 mm
26X12.00-12 ET-50	2065 mm	1280 mm
27X8.50-15	2080 mm	1070 mm
27X10.50-15	2080 mm	1150 mm
400/50-R15 (31X15.50-15) ET-100	2130 mm	1470 mm

FEATURES

- Yanmar 4TNV88 4 cyl., 2190 cc, diesel engine, water cooled with electric start
- STAGE IIIA
- **OneDrive System:** DBS (Dynamic Block System) and Cruise Control activated by Joystick
- ACI with Multi-functions joystick (16 functions)
- Unbreakable Body Panels
- Hydraulically pilot operated variable displacement drive pump
- Hi-Flow system
- Self-locking multi-disk parking brake
- Self-levelling double-H telescopic boom
- Radial Piston high efficiency and heavy duty wheel motors
- 4WD hydrostatic Direct Drive motors, proportional servo control
- Hydraulic oil cooler
- Hydraulic multiconnector
- ROPS-FOPS Level I
- LCD graphic display with programmed service
- 2 front working light
- Fully adjustable suspension heated seat with armrests and seat belt

8 SERIES - OPTIONS

Options	Code
110 V engine block heater	C885255
220 V engine block heater	C885250
2" Hitch receiver	C883062
3 additional working halogen light	C883064
3 additional working LED light	C883018
A/C system with heating for fully enclosed cab - for 8.5 Y (C883001 required - not aftermarket)	C883900
Additional front hydraulic outlets	C883024
Attachment coupling plate for rear mounting	C880031
Automatic locking plate	C883038
Backup warning beeper	C883021
Beacon light	C883039
Biodegradable oil	C883007
Cruise Control for 8.5 Y	C883081
Driver area cover	C880049
Flat face coupling kit	C880221
Floating boom valve	C883011
Fully enclosed cab with sound insulation linen	C883001
GPS tracker	C883075
Heating system for 8.4S K and 8.5 Y	C883072
Left protection bar for operator	C883020
Mirrors	C880081
OneDrive for 8.5 Y	C883813
Polycarbonate back window (smart cabin)	C883035
Polycarbonate right side (smart cabin)	C883034
Polycarbonate windscreen (smart cabin)	C883000

