




6 SERIES



NEW

 TIPPING LOAD 1200 kg	 ENGINE POWER 28 hp	 SPEED 15* km/h	 FLOW RATE 46 l/min	 LIFT HEIGHT 2,92 m
--	---	--	--	--

(*) 6.3S

Model	6.3	6.3+	6.3S
Engine	Yanmar 3TNV76		
Power (Iso Gross)	28 HP		
Fuel	Diesel		
Transmission	Hydrostatic		
Drive speed (max.)	13 km/h	11 km/h	15 km/h
Aux. hydraulics oil flow	46 l/min		
Max. lifting height	2,92 m		
Tipping load, max ⁽¹⁾	1200 kg		
Lifting capacity straight ⁽²⁾	960 kg		
Lifting capacity fully articulated ⁽³⁾	780 kg		
Breakout force / 50 cm	1400 kg		
Pushing force (c)	900 kgf	1690 kgf	1160 kgf
Specific ground pressure (w/standard tires)	1022 kg/m ²	1044 kg/m ²	
Turning radius: inside/outside	905/2020 mm		
Standard tires (Tractor profile)	26 x 12 - 12		
Weight	1400 kg	1430 kg	
Product Code	C961000	C961010	C961005

Tires size	Width (N)	Height (Q)
23X8.50-12	1070 mm	2020 mm
23X10.50-12 ⁽⁴⁾	1130 mm	2020 mm
26X12.00-12 ⁽⁴⁾	1300 mm	2040 mm
27X8.50-15	1070 mm	2080 mm
27X10.50-15 ⁽⁴⁾	1150 mm	2080 mm

(¹) Maximum load that can be lifted just off the ground when the machine is straight, with backweights and boom not extended. Weight of attachment included.

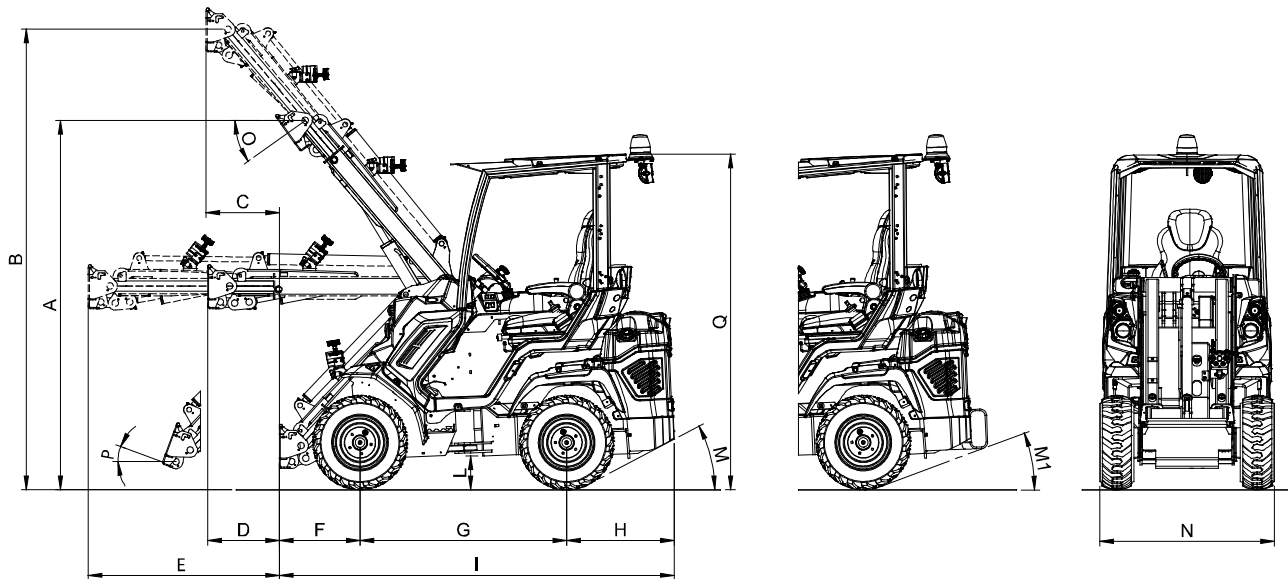
(²) Machine straight, with backweights and boom not extended. Weight of attachment is included. (80% of tipping load).

(³) Machine fully articulated, with backweights and boom not extended. Weight of attachment is included.

(⁴) Only 6.3+ and 6.3S.

MULTI ONE

6 SERIES - FEATURES AND OPTIONS



Dimensions (mm / in)

A - Pivot point height (not extended boom)	2290	I - Machine length	2445
B - Pivot point height (extended boom)	2920	L - Ground clearance	210
C - Outreach with lifted boom (extended boom)	455	M - Angle of departure	28°
D - Outreach with orizontal boom (not extended)	445	M1 - Angle of departure with backweights	21°
E - Outreach with orizontal boom (extended)	1185	N - Max width (with standard tires)	1070
F - Front length	500	O - Dump angle	36°
G - Wheelbase	1280	P - Rollback angle	29°
H - Rear length	665	Q - Height (with standard tires)	2020

Features

- Hi-Flow system
- 4WD hydrostatic Direct Drive motors
- DBS (Dynamic Block System)
- Self-levelling double-H telescopic boom
- 11-functions joystick
- Multi-disk parking brake (only 6.3+ and 6.3S), mechanical parking brake (only 6.3)
- Radial Piston wheel motor ⁽⁵⁾
- Hydraulic oil cooler
- Hydraulic multiconnector
- ROPS-FOPS Level I
- LCD graphic display with programmed service (tachometer, hour meter, fuel gauge, maintenance light, light indicator and other 14 indicators)
- 2 front working light
- Ergonomic full adjustable suspension seat with armrests and safety belt.

⁽⁵⁾ Only 6.3+ and 6.3S.

6 SERIES - FEATURES AND OPTIONS

Options	Code	
Torque divider (only 6.3+ and 6.3S)	C883600	
Torque divider (only 6.3)	C883004	
Floating boom valve	C883011	
Fully glass cab	C883001	
Driver area cover	C880049	
Plexiglass windscreen (smart cabin)	C883000	
Plexiglass right side (smart cabin)	C883034	
Plexiglass back window (smart cabin)	C883035	
Led Road lights "Hella"	C883009	
3 additional working led light "Hella"	C883018	
Automatic locking plate	C883038	
Attachment coupling plate for rear mounting	C880031	
Multiconnector to quick coupling 3 lines adapter	C880221	
Trailer coupling	C885014	
Additional backweights (184 kg)	C880054	
Backup warning beeper	C883021	
High comfort seat	C883006	
Rear bull bar with side extensions	C883036	
Beacon light	C883039	
Left protection bar for operator	C883020	
Rear 12V electric socket	C883022	
Rear hydraulic outlets - single	C883013	
Rear hydraulic outlets - double	C883014	
Additional front hydraulic outlets	C883024	
Wheel spacer 10 mm (0.2 in) (max. 3 pcs for 6.3, max. 1 pcs for 6.3+, 6.3S for wheel)	C880090	
Wheel spacer 55 mm (2.2 in), set of 4	C885010	
Biodegradable oil	C883007	
Grass tires 26x12.00-12 ET-50, set of 4	C884010	
Skid tires 27x10.50-15, set of 4	C884012	